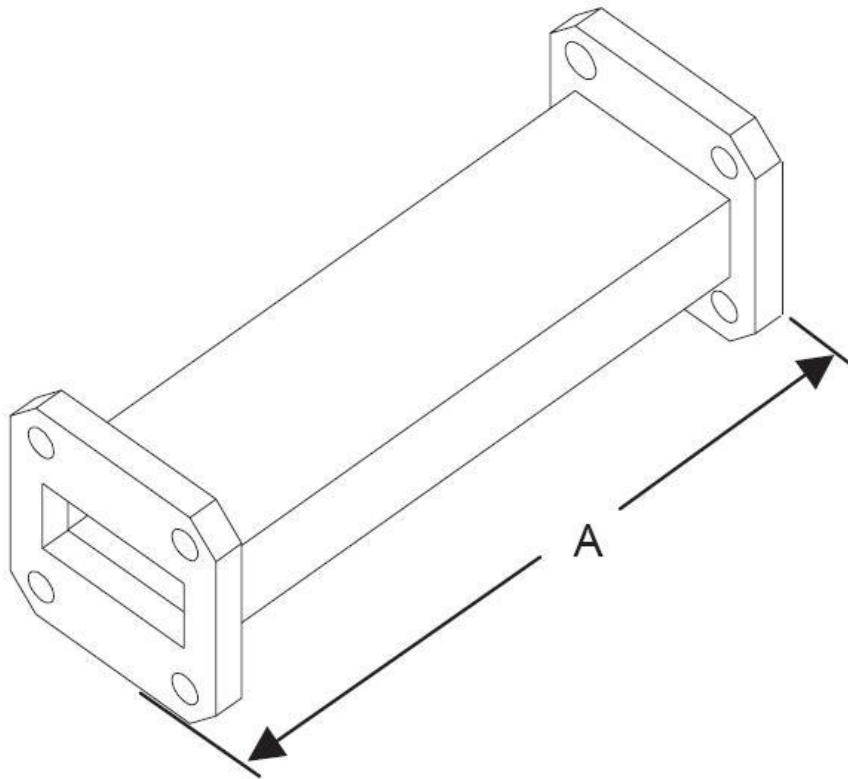
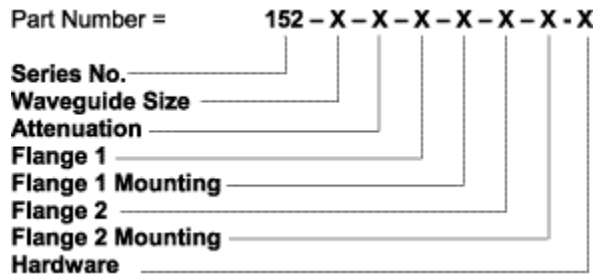


## Fixed Attenuator S152

UBS offers a series of rectangular waveguide precision attenuators covering waveguide sizes from WR-28 through WR-284. The assembly construction includes a precision ground observing elements for optimum electrical performance. Attenuation flatness is +/- 0.5 dB over the 10% bandwidth. The max. power rating for all waveguide sizes is 1 watt WR-28 to WR-62.



### Ordering Information



### Specifications

Size	Frequency (GHz)	Minimum Dimension (inch)
WR28	26.50 - 40.00	3.00
WR34	22.00 - 33.00	3.00
WR42	18.00 - 26.50	3.00
WR51	15.00 - 22.00	3.50
WR62	12.40 - 18.00	3.50
WR75	10.00 - 15.00	5.00
WR90	8.20 - 12.40	5.00
WR112	7.05 - 10.00	6.00
WR137	5.85 - 8.20	7.00
WR159	4.09 - 7.05	7.00
WR187	3.95 - 5.85	8.00
WR229	3.30 - 4.90	8.00
WR284	2.60 - 3.95	8.00

### Flange Configuration

<b>FlangeType</b>	C - Cover G - Groove CHOKE CMR CPR (F,G)
<b>Flange Mounting Holes</b>	T1 - Through Holes T2 - Threaded A - Alternating

### Electrical Specifications

<b>VSWR</b>	< 1.10 Max
<b>Attenuation</b>	1 - 60 dB